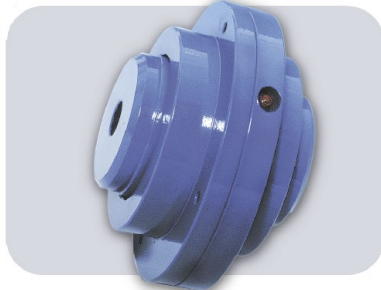
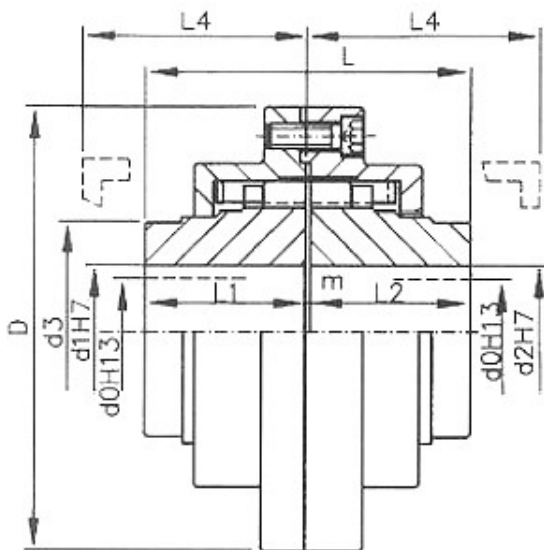


Муфта VPS (Гибкие муфты)

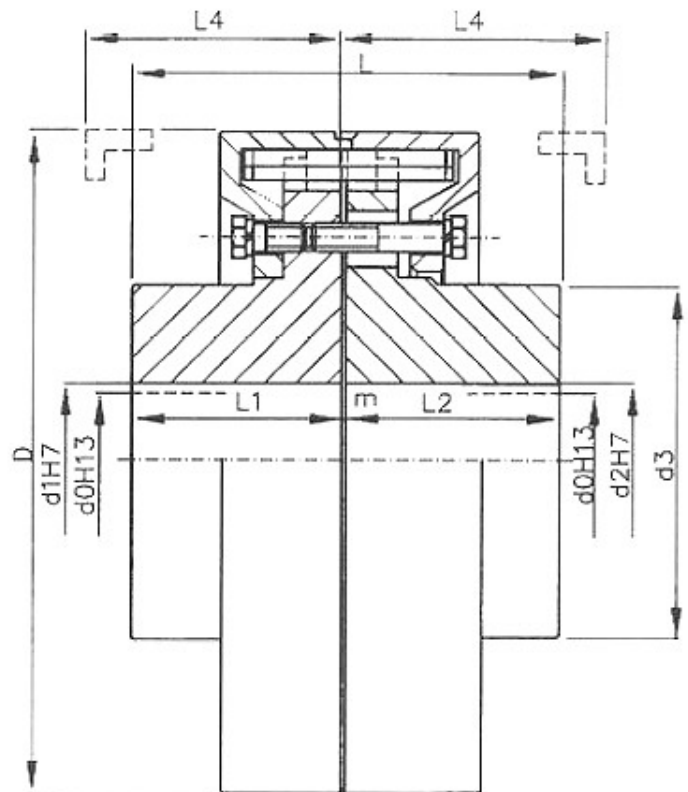


The VPS coupling consists from two charges, from the springs and from the easy withdrawable two-part cover that is fitted on or centred on the one from charges and creates the tank for the lubricant. The periphery of the disk is equipped with the longitudinal slots, in which the snaky wound steel spring is inserted that transmits the peripheral force. The couplings to the size VPS 1.5 can be executed with the brake wheel. This design must be agreed with the manufacturer in advance. The couplings of the size 40 and greater are not used often and, therefore, the manufacturer discharges their orders individually including determination of the maximum revolutions. By the sizes 40 and 50 the rough-drilling nor

the charge diameter are not, therefore, determined in advance. The customer can to take out them so, that the diameter d_3/d equals about 1.7. Final drilling must not at the same time exceed the maximum values shown in the table. By the sizes 90 and 120 is not standardised nor the charge length, only the discs, covers and springs dimensions. The couplings charges are manufactured according to the agreement of the customer with the manufacturer. The coupling are not supplied with the store rough-drilling $doH13$ according to the table or after the agreement with the hole machined for requested drilling including the slot for the spring according to ČSN.



SIZE 0,01 – 1



FROM SIZE 1,5

Муфта VPS

Типоразмер муфты	0,01	0,03	0,08	0,15	0,3	0,5	0,8	1	1,5	2	3	4	5	6										
Конструктивные размеры																								
ø D, мм	125	160	192	250	255	290	340	390	420	472	472	580	605	686										
ø d1max, ø d max, H7, мм	40	50	65	75	85	100	125	130	110	140	105	125	150	115	160	130	165	190	130	175	200	160	200	230
ø d0 H13, мм	15	20	25	30	35	40	50	70	75	110	75	105	125	75	115	75	130	165	75	130	175	90	160	200
ø d3, мм	60	82	110	130	145	170	215	220	175	220	170	200	230	180	250	200	260	290	200	275	310	250	310	360
m, мм	2	2	2	2	3	2	3	3	3	3	3	3	3	3										
L1, L2, мм	45	50	70	80	90	100	115	130	140	150	155	180	190	190										
L, мм	92	102	142	162	183	202	233	263	282	303	313	363	383	383										
L4, мм	65	85	85	85	135	150	150	150	180	180	225	180	225	230										
Технические характеристики																								
Номинальный момент, Н*м	71	224	560	1000	2240	3550	5600	7100	11200	14000	22400	28000	35500	45000										
Максимальная скорость, мин ⁻¹	4500	3600	3000	2300	2250	2000	1700	1450	1300	1150	1150	960	920	800										
Допустимое отклонение соосности, мм	0,18							0,2							0,25									
Допустимое отклонение параллельности, мм	0,2							0,25							0,3									
Масса, кг	4,5	9,7	18,5	34,5	47,5	67	100	149	158	164	190	195	200	235	250	305	312	314	422	440	433	510	515	525

Типоразмер муфты	7	10	15	22	30	40	50	90	120															
Конструктивные размеры																								
ø D, мм	690		780			920			1045				1210			1396	1556	1640	1835					
ø d1max, ø d2max, H7, мм	150	200	250	155	200	235	280	210	270	330	230	250	290	350	380	230	270	325	370	430	480	530	550	600
ø d0 H13, мм	120	150	200	120	155	200	235	150	210	270	170	230	250	290	350	180	230	270	325	370				
ø d3, мм	230	310	390	240	310	370	440	320	420	520	360	390	450	550	580	360	420	520	580	675				
m, мм	3		3			4			4				3			3	3							
L1, L2, мм	220		230			250			255				300			330	380							
L, мм	443		463			504			514				603			663	763							
L4, мм	230		230			230			280				280			280	530							
Технические характеристики																								
Номинальный момент, Н*м	50000		71000			112000			160000				224000			280000	355000	630000	900000					
Максимальная скорость, мин ⁻¹	800		720			600			530				460											
Допустимое отклонение соосности, мм	0,25							0,3							0,5									
Допустимое отклонение параллельности, мм	0,3							0,4							0,6									
Масса, кг	570	620	663	670	715	745	805	920	1040	1170	1275	1260	1340	1490	1470	1760	1820	2010	2085	2320	2675	3085		